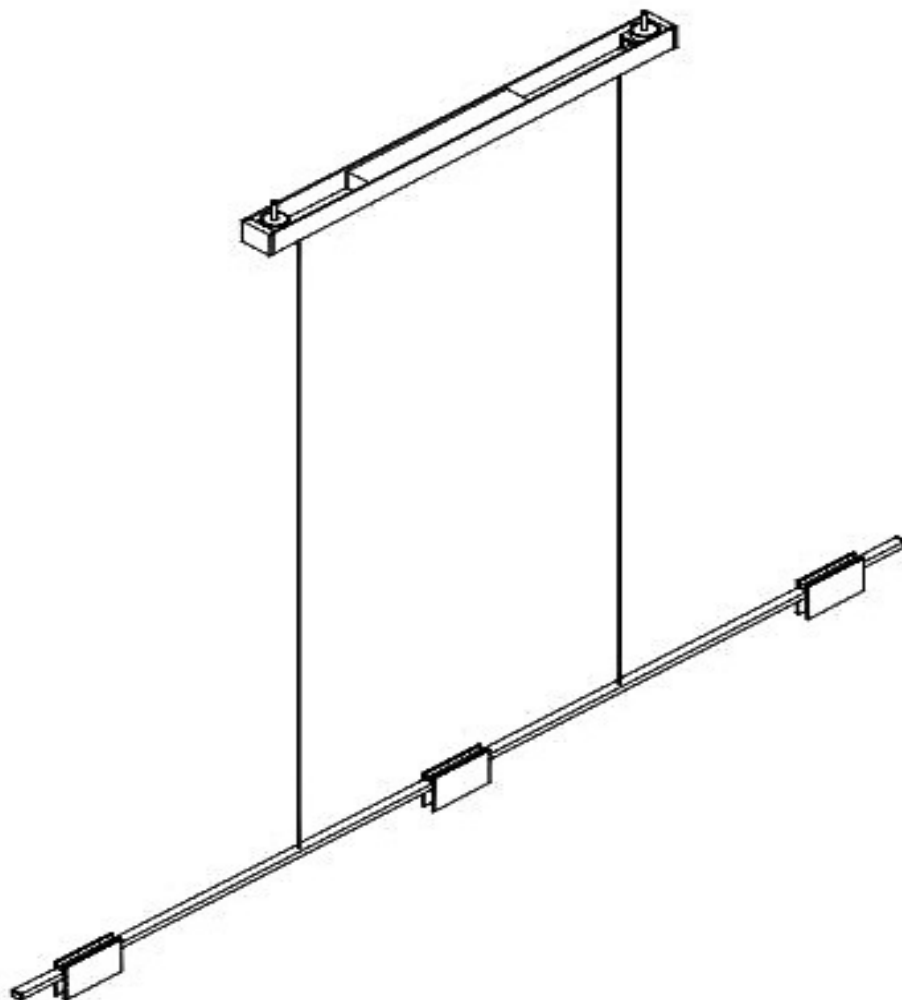


Mounting and operating manual
Pendant luminaire >LEICHTSINN<



Attention! Read carefully!

Before you mount and use the pendant luminaire read the following mounting and operating manual carefully.

introduction:

Dear customer,

we thank you for purchasing this high quality product. You bought a luminaire with the newest technology and which was made by hand. The construction is in accordance with European and national requirements concerning electromagnetic tolerance and the low voltage directive. The conformity was proved and the according explanations and documents are deposited with the manufacturer. To ensure safe operation the user has to follow the mounting and operation instructions unconditionally. They include important information about initial use and handling. Be also careful about this when you give this product to a third party. Keep the mounting and operating manual for further reading!

Intended use

- This product is licensed for the connection of 230V/ 50Hz alternating current voltage.
- This luminaire is intended only for interior use.
- The IP-degree of protection is only secured when the luminaire is mounted properly.
- The usage of metallic constructions as current-carrying conductors in buildings are not allowed because of safety reasons.
- The user is not allowed to change or alter the complete product!
- Don't use abrasive cleaner or solvents for cleaning the luminaire.
- Another usage like described before leads to a damaged product. Moreover, this can lead to dangers like a short circuit, fire, electric strike and so on.
- It is essential that all security instructions and technical data are observed!
- **Product and mounting instructions are subject to the following directives:**

Directive 2006/95/EG (Low Voltage Directive)

Directive 2004/108/EG about the electromagnetic tolerance



Safety instructions:

- The mounting has to be carried out by a qualified person who knows the regulations and dangers of mounting a luminaire!
- The luminaire is in protection class I and has to be connected to the protection conductor.
- Make sure that you disconnect the power supply before mounting the pendant luminaire or doing other activities with the luminaire.
- Don't wear metallic or conductive jewellery like chains, bracelets, rings and so on when you work on or clean the luminaire.
- Under no circumstance cover the luminaire with heat insulating materials.
- Don't add other objects to the pendant luminaire because of decoration reasons.
- Don't use the luminaire in rooms in which there are or could be inflammable gases, vapours or dust.
- To avoid fire and eye damages you have to observe the following points:
 - Don't look directly into the light and don't point the light ray directly into the eyes of other people or animals!
 - Keep the luminaire away from inflammable materials and objects!
- For damages of any kind, especially of the housing, which indicate that a safe operation is no longer possible you have to disconnect the power supply and you have to disconnect and take down the pendant luminaire!
- In commercial premises, the safety rules of the professional associations for electrical equipment and facilities have to be observed.
- Maintenance work must only be carried out by a qualified electrician who uses only original spare parts!

Mounting

The mounting has to be carried out by a recognised qualified electrician. Re-connect the power supply only when you finished the mounting completely.

- It is essential that the safety instructions and technical specifications are observed!
- First plan the mounting position for the luminaire and make sure that you have a 230V connection available.



- Disconnect the power supply you want to use for the luminaire.

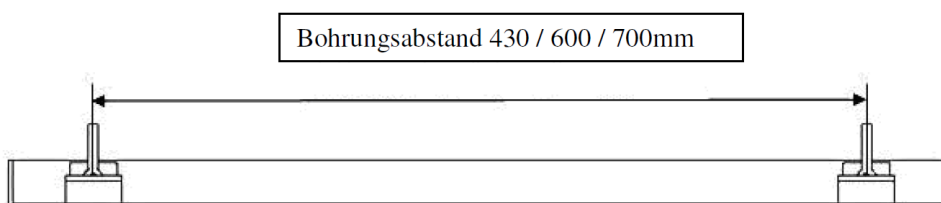
Attention: It's not enough to switch off the light switch or similar things. You have to remove the responsible mains fuse. ... oder die Schaltersicherung auszulösen, falls Sie die Stromzufuhr nicht durch eine Steckverbindung unterbrechen können. Sichern Sie diese Unfallverhütungsvorkehrungen (!) während der Installation gegen Wiedereinschalten des Stromkreises ab. Nevertheless before you mount the luminaire make sure that the power supply wires are unpowered.

- Locate a power socket within an area of 1.5m. If you use a drilling machine make sure that the mounting holes are not below electrical wires or pipes!
- Follow the numbered steps of procedure when you mount the luminaire (see also attached mounting illustration).

To avoid scratches and impurities we recommend to use the supplied the mounting gloves for mounting the pendant luminaire!

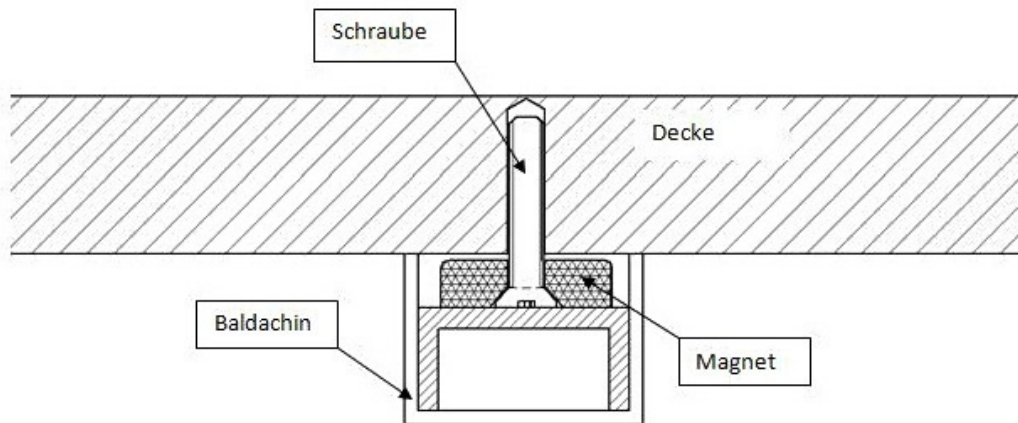
1. Mark the mounting holes according to the corresponding luminaire:

- Leichtsinn pendant luminaire 1800mm → drill hole distance 700mm
- Leichtsinn pendant luminaire 1400mm → drill hole distance 600mm
- Leichtsinn pendant luminaire 1100mm → drill hole distance 430mm

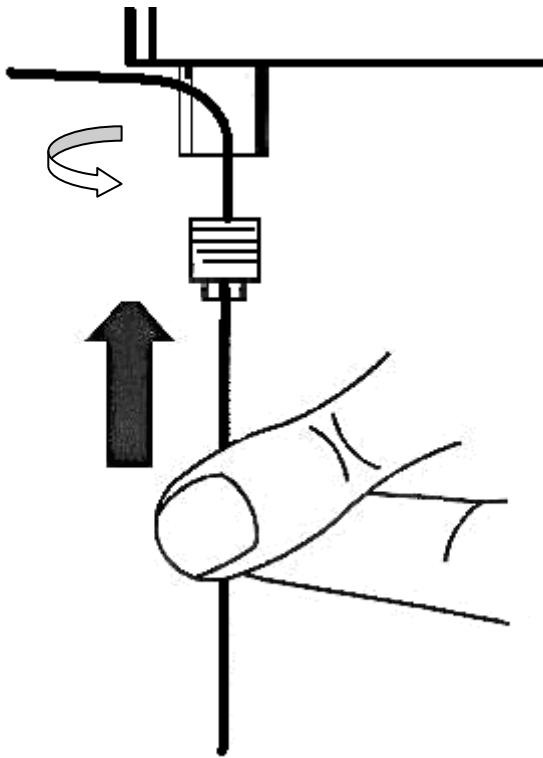


2. Drill the two ceiling hole in the corresponding drill hole distance and insert the dowels into the drill holes.

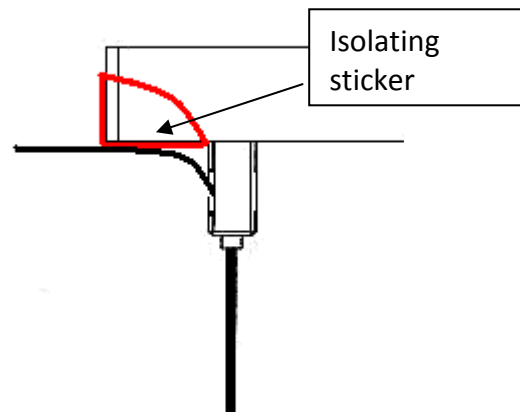
3. Screw the magnets with the disks in the ceiling.



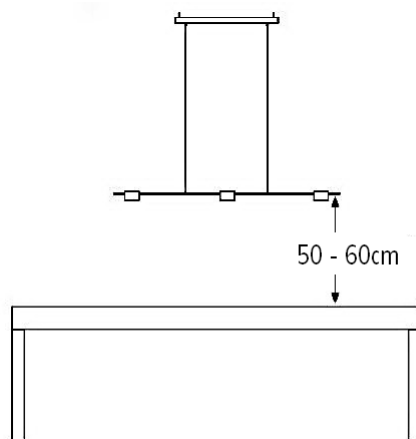
4. Establish the electrical connection between the luminaire baldachin (power supply unit) and the ceiling connection cable. It is essential that the safety instructions and technical specifications are observed (see page 2!)
5. Mount the luminaire baldachin to the magnets.
6. Mount the steel cables of the luminaire to the baldachin by screwing the cable stopper into the threaded sleeves. Pay attention to the polarity. [steel cable with the (+) marking to the suspension (+)]



The cables are not allowed to come into contact with the baldachin. Remove the isolating stickers only after separating the ends of the cable.



7. Recommended suspension height 50 - 60cm above tabletop without glass shades.



8. Adjust the luminaire parallel to the table concerning the height.
9. Shorten the steel cable at the side of the suspension.
10. Remove the isolating stickers on the baldachin.
11. Clean the luminaire with silicone spray and a cotton cloth.

Technical specifications	
measures	L : 1800mm/1100mm W: 11mm D: 7mm
luminaires	LED 3 x 6 W bzw. 4 x 6 W
Design	
Material	Aluminium
surface	Matt brushed / polished
cable	Without cable; supply of electricity via steel cable
Voltage	10 - 58V
power consumption	Max. 28W
LED	3 bzw. 4 LED Cluster a 48 Dioden
Service life LED	50.000 - 70.000h
Colour temperature	choosable: 3000K, 3500K, 4100K
Illuminance level	330Lux (Abstand 60cm)
norms	directive 2006/95/EG directive 2004/108/EG